

**»multifix« series**

Seat valves operated by secondary pressure for controlled pressurisation of pneumatic systems.  
 The full cross-section of the regulator is opened at 50% of the input pressure.  
 The filling time can be altered by turning the adjusting screw.

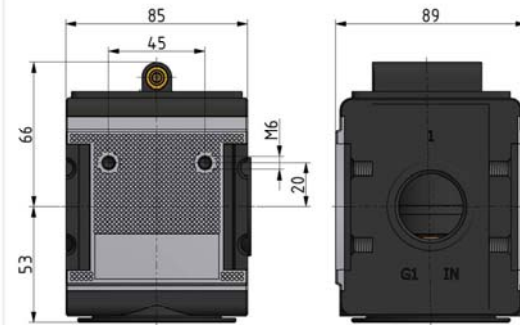
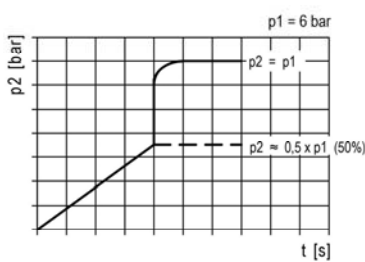
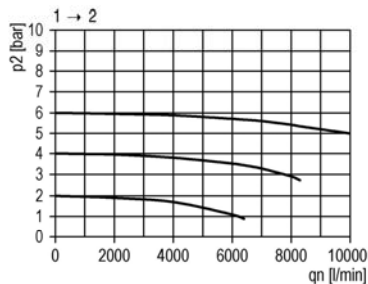
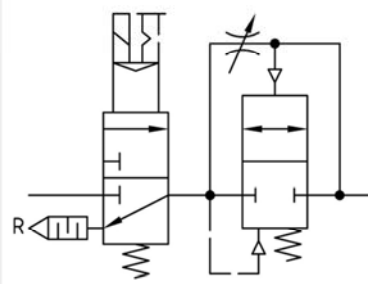
Inlet pressure:	2 - 16 bar
Max. medium temperature:	60 °C
Max. ambient temperature:	60 °C
Sealant:	NBR
Flow rate measurement:	At $P_1 = 6$ bar and pressure drop $\Delta p = 1$ bar

**Start-up valve**

Art. No.	Type No.	Thread	Housing	Flow rate l/min	Size
133144	A 45 F	G 1	Die-cast aluminium	10000	4

**Accessories**

Art. No.	Type No.	Description
135857	KP 45	Coupler pack for modular assembly of several devices


**filling characteristic**

**flow characteristic**

**operating conditions**

**symbol**
